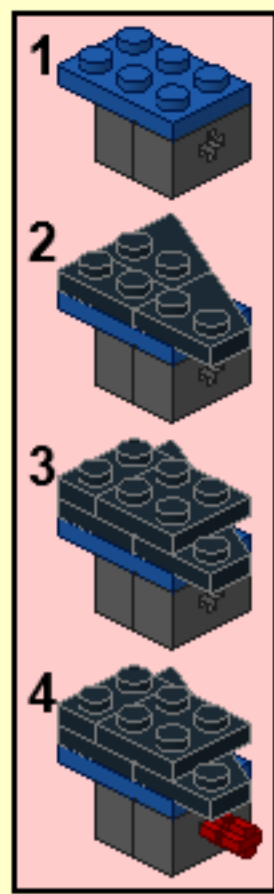
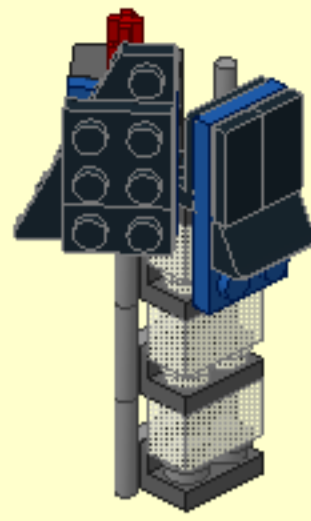
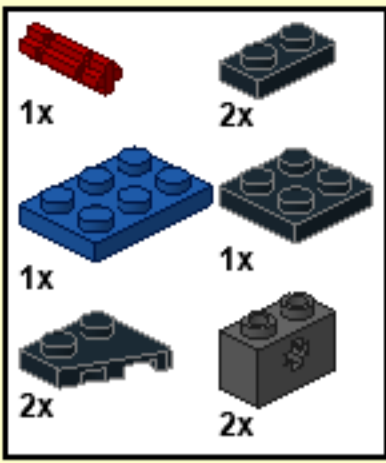
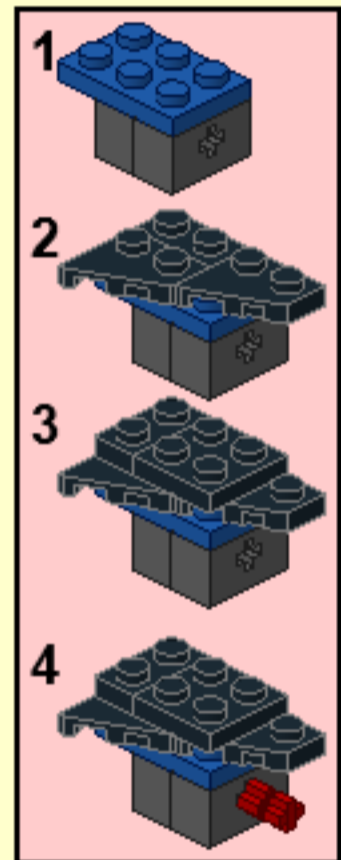
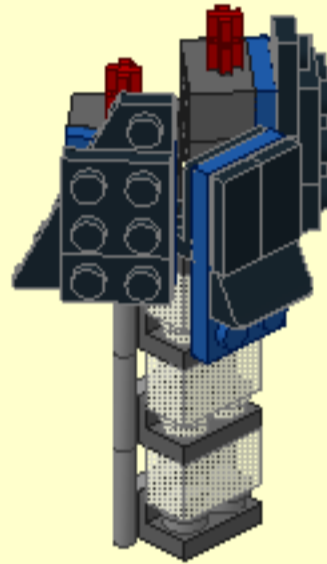
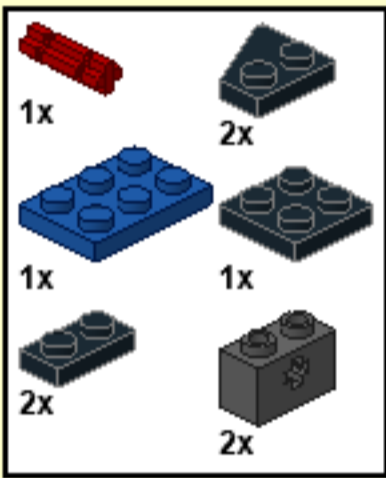


9

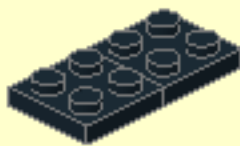


10

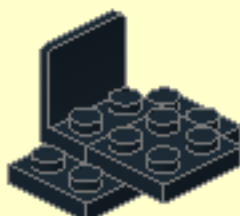
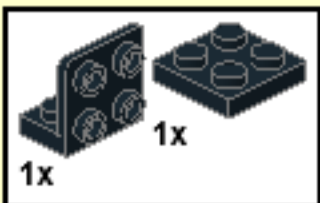




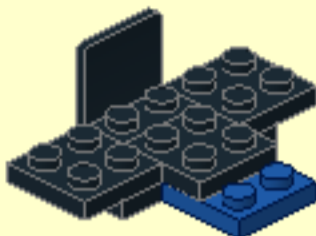
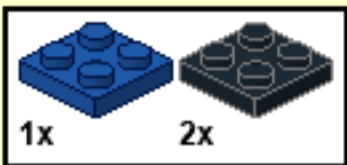
1



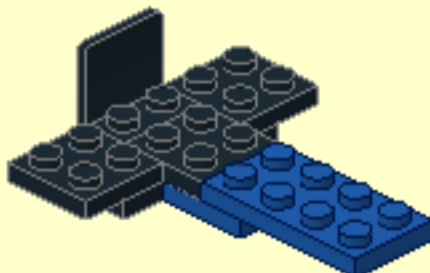
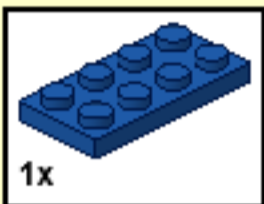
2



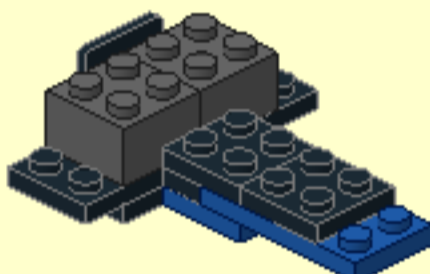
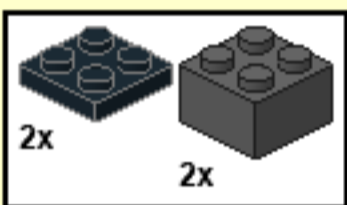
3



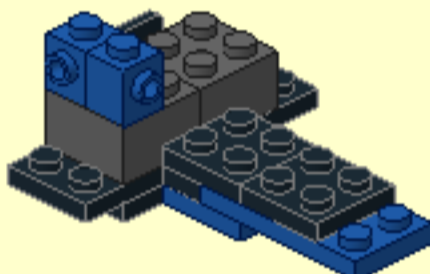
4



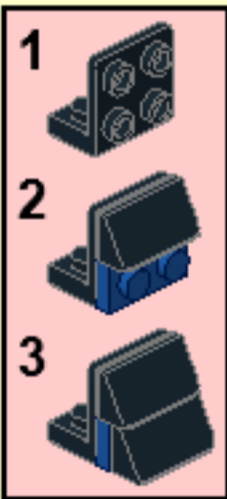
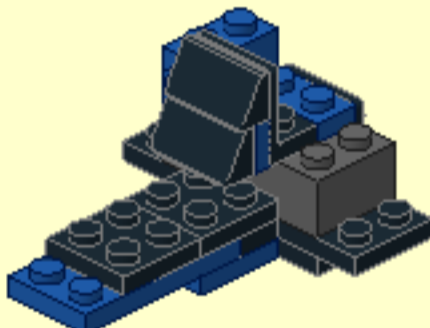
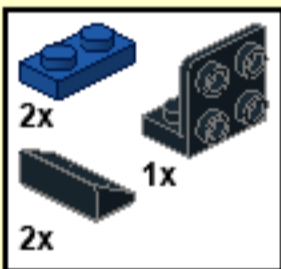
5



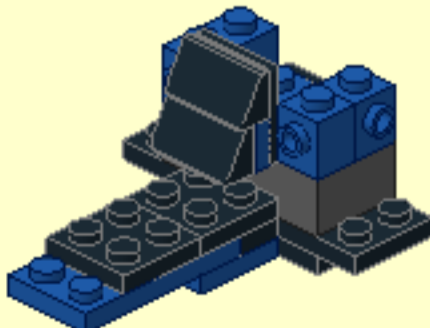
6



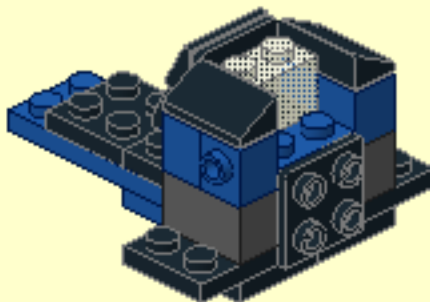
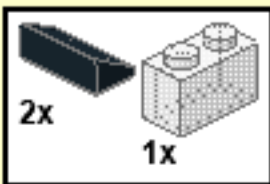
7




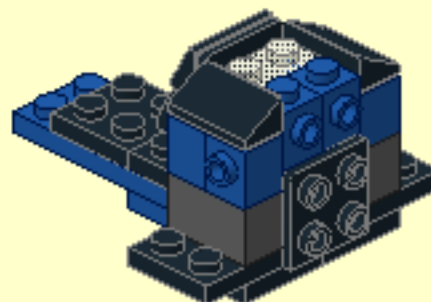
8




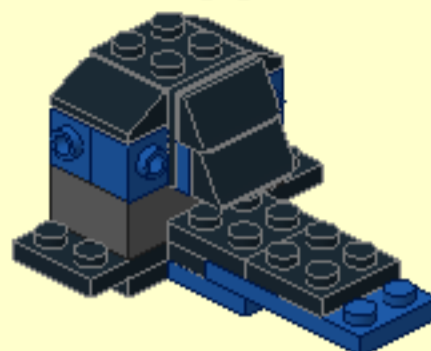
9

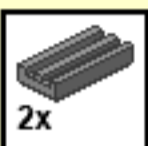


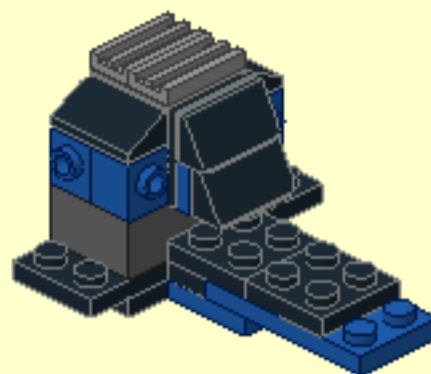
10  2x

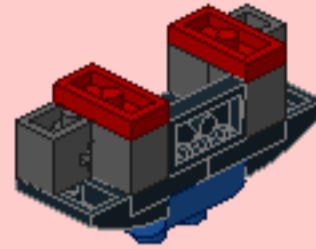
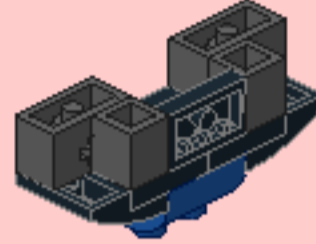
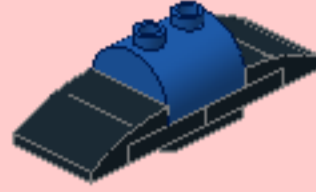
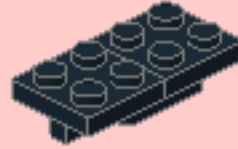
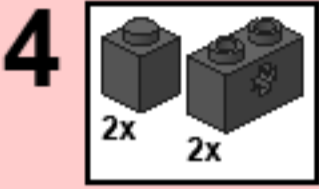
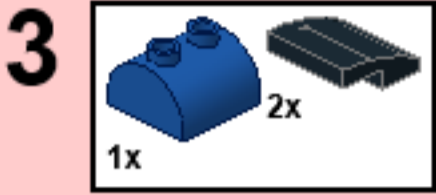
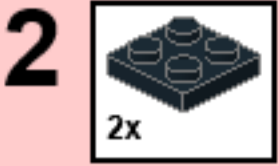


11  1x

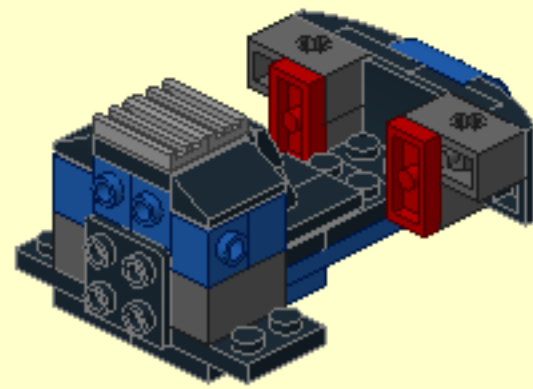
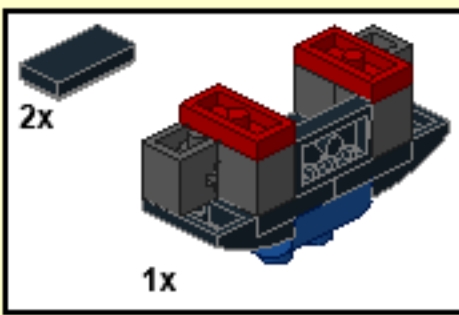


12  2x

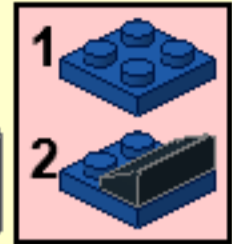
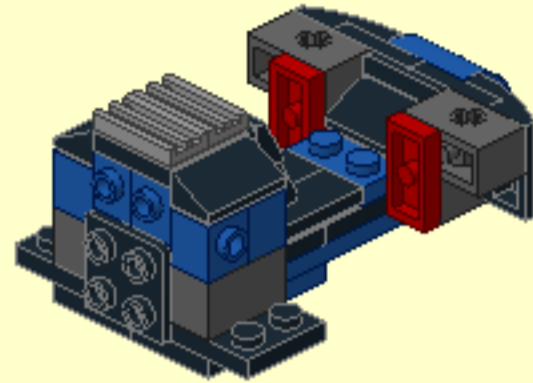




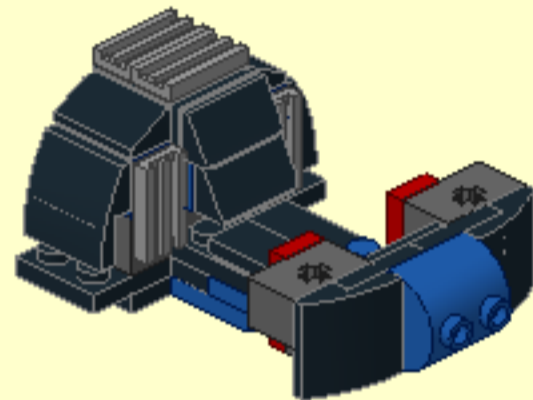
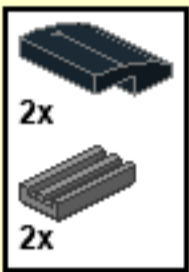
13



14

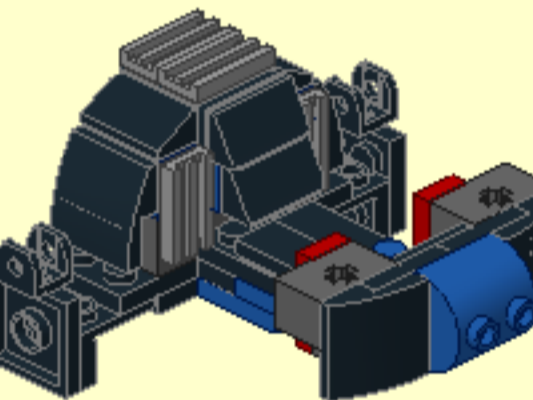
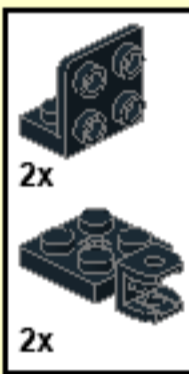


15

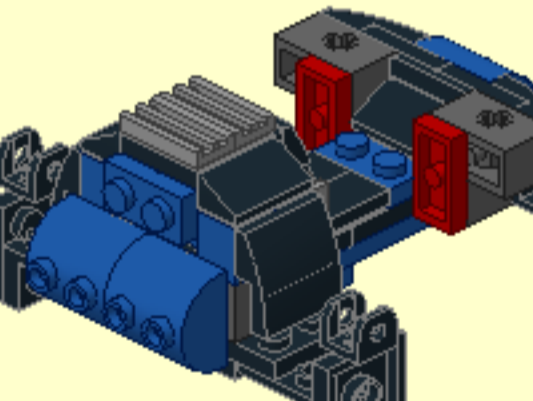
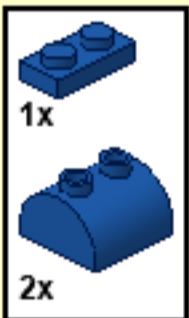


x4

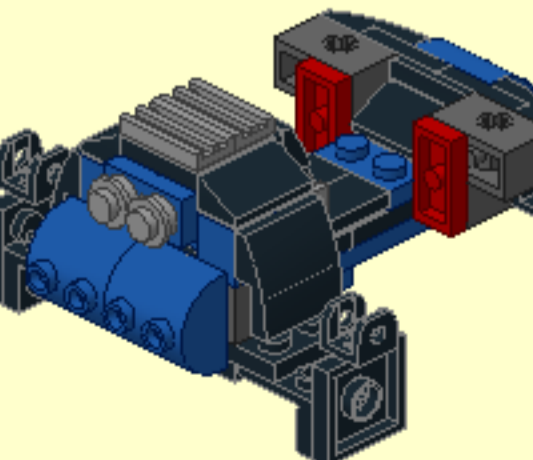
16



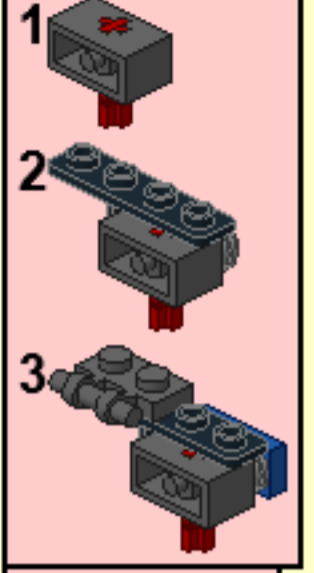
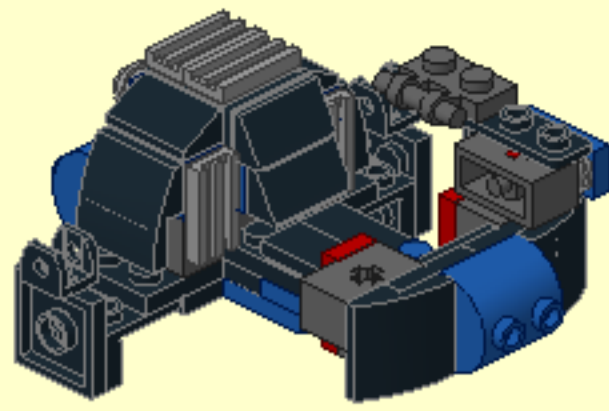
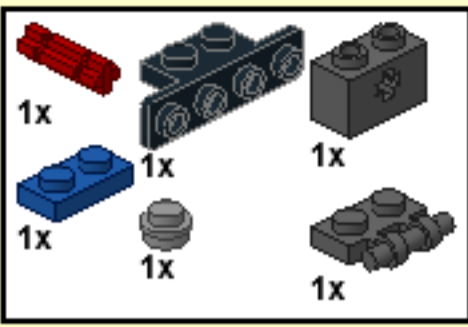
17



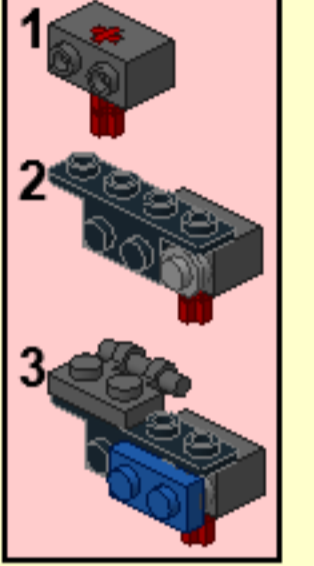
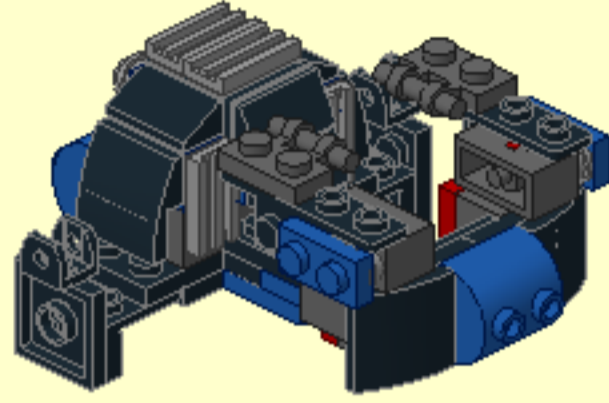
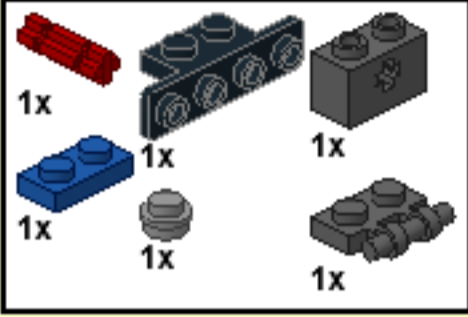
18



19

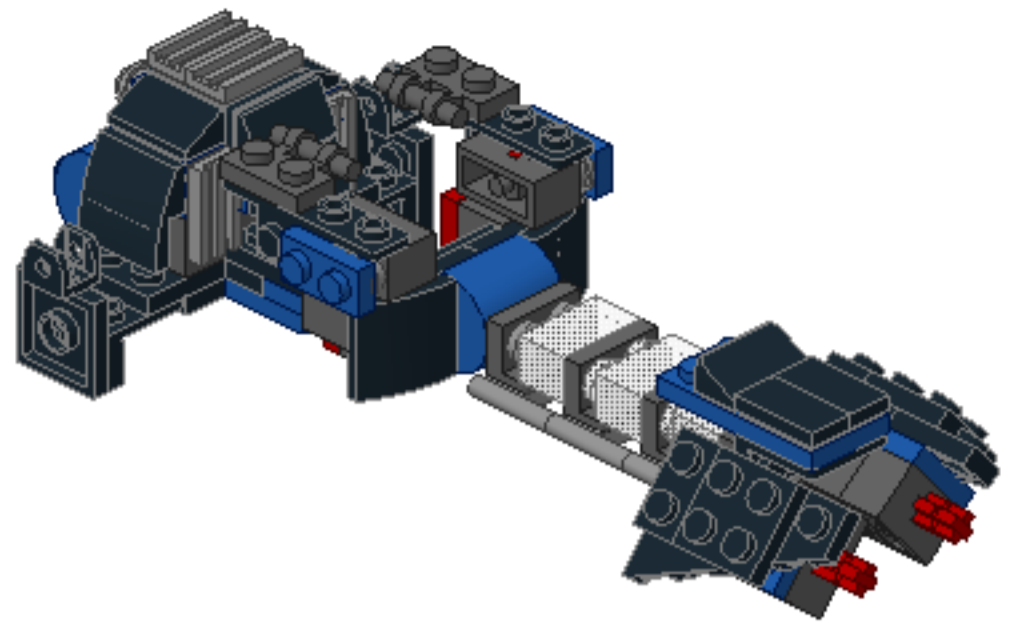
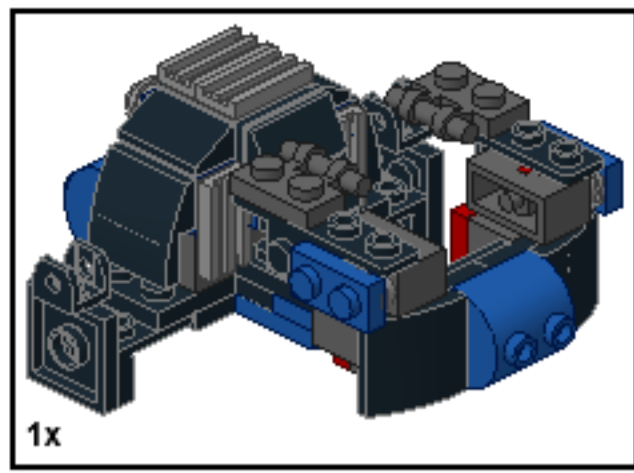






























20





2



-  4x
-  2x
-  2x
-  2x
-  6x
-  5x
-  2x
-  3x
-  2x
-  4x
-  2x
-  12x
-  6x
-  2x
-  4x
-  6x
-  2x
-  4x
-  4x
-  4x
-  4x
-  4x
-  6x
-  8x
-  2x
-  2x
-  2x
-  4x